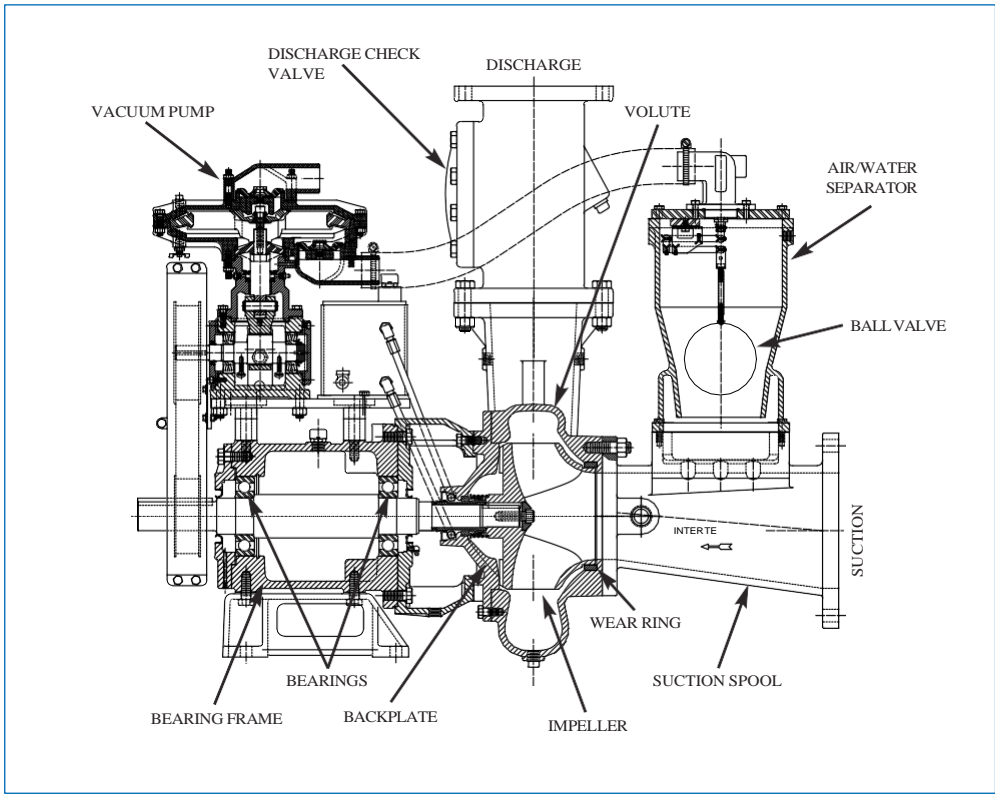


INTERTECH PUMP COMPANY

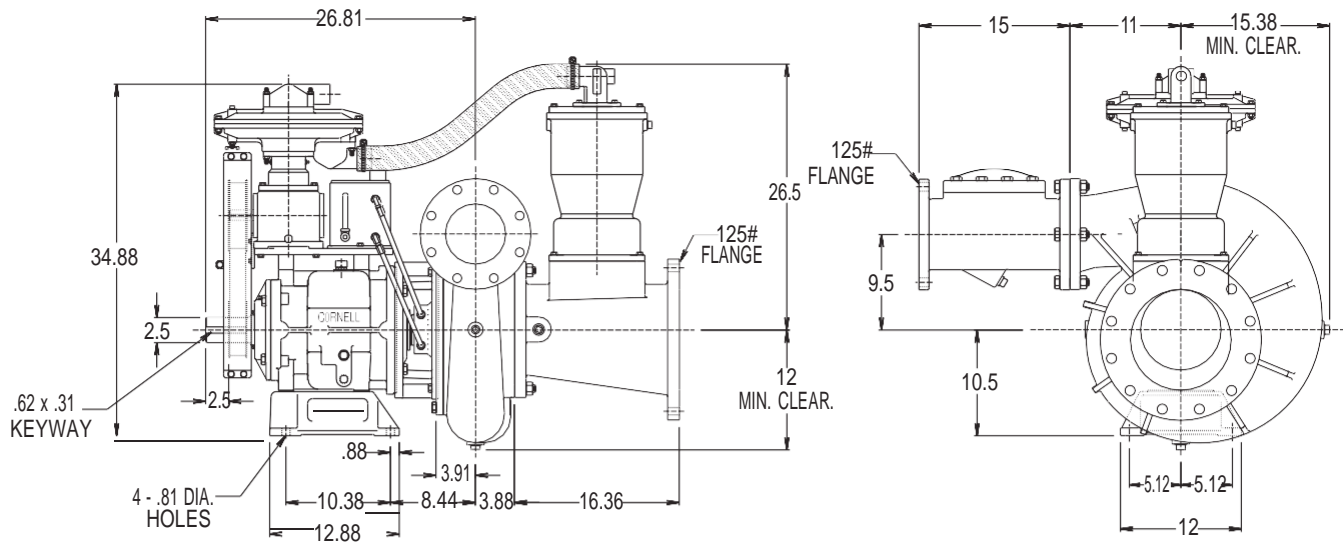
Model 6RC-F Redi-Prime®

PUMP SPECIFICATIONS

- **Size:** 6RC - 6" discharge x 10" suction with 125# cast iron flanges.
- **Casing:** Cast Iron.
- **Impeller:** Enclosed - 6 vane. Handles 1.31" diameter solids.
- **Wear Rings:** Replaceable. (Double wear rings available).
- **Seal:** InterTech's patented Cycloseal® design with Run-Dry oil lubrication system. John Crane T-2 single mechanical seal with Viton® elastomers, stainless steel hardware and tungsten- vs. silicon-carbide seal faces for abrasion resistance.
- **Check Valve:** SwingFlex® Val-Matic®.
- **Shaft Sleeve:** Heat treated 416 stainless steel.
- **Bearings:** Heavy duty, grease lubricated, deep groove ball bearings, with a minimum of 50,000 hours bearing life.
- **Hardware:** Stainless steel float linkage. A positive seating vacuum priming valve prevents water carry-over to the vacuum, pump or atmosphere.
- **Vacuum Pump** - 50 SCFM Maximum.



PUMP DIMENSIONS

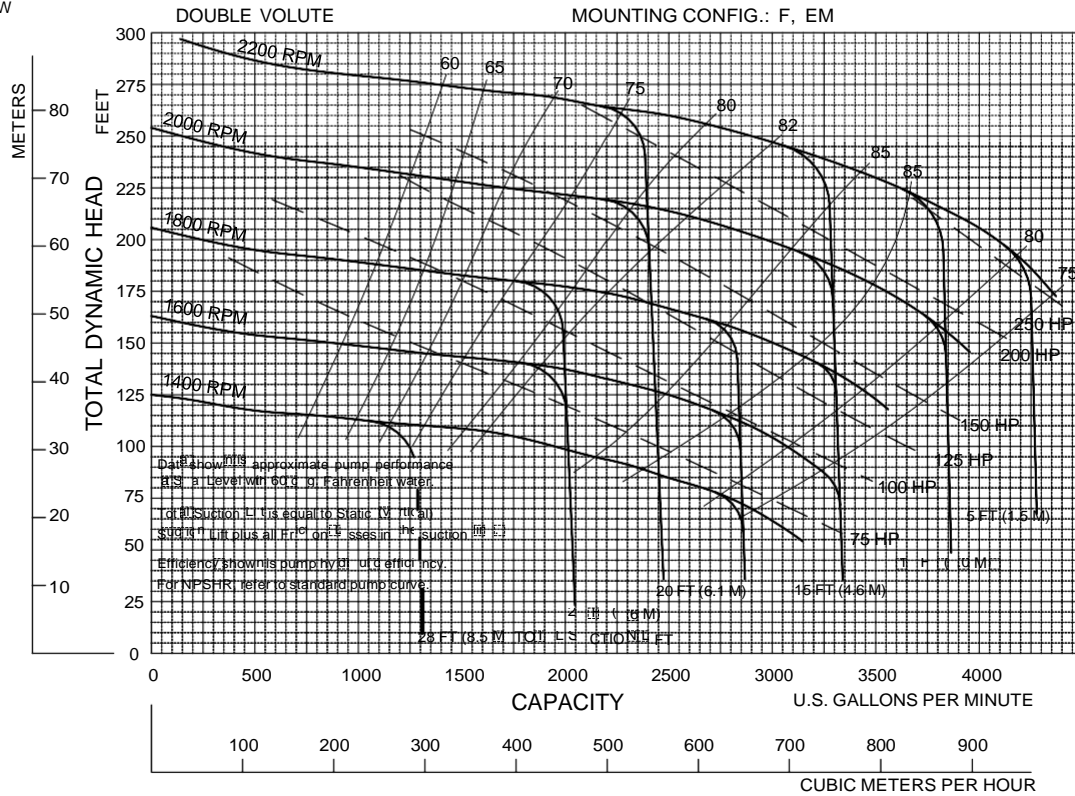


- NOTES:**
1. Frame mounting foot thickness is .75".
 2. Flange connection dimension can vary ± 0.12 inch.
 3. Do not use for construction unless certified.

PERFORMANCE CURVES

Feet x .305 = Meters
 Inches x 25.4 = Millimeters
 GPM x .227 = Cubic Meters/Hour
 GPM x 3.785 = Liters/Minute
 HP x .746 = KW

| Speed | Impeller Dia. | Style | Solids Dia. | N _S | Suction | Discharge | No. vanes |
|---------|---------------|----------|-------------|----------------|---------|-----------|-----------|
| VARIOUS | 13.50" | ENCLOSED | 1.31" | 2350 | 10" | 6" | 6 |



2/15/01

InterTech Pump Company

ISO9001:2000 CERTIFIED