

***NOW STOCKED IN CD4MCu**

MOUNTING CONFIGURATIONS

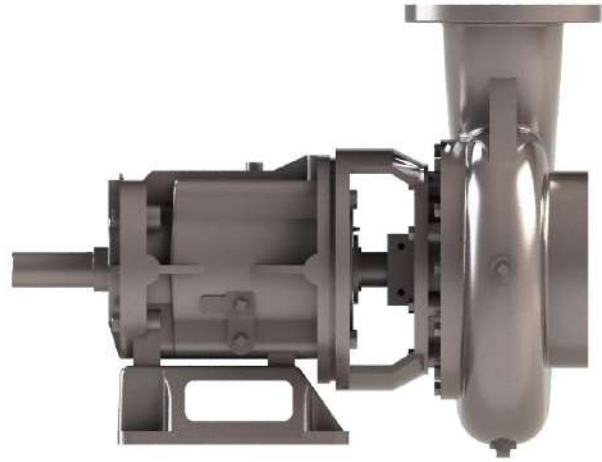
6NNT-RP-F Redi-Prime® Frame Mount
 6NNT-RP-EM Redi-Prime® Engine Mount
 6NNT-F Frame Mount
 6NNT-EM Engine Mount
 6NNT-CC Close-Coupled Mount
 6NNT-VM Vertical Mount
 6NNT-VF Vertical Frame Mount

STOCK MATERIALS

All Iron, CD4MCu

OPERATING LEVELS

MAX FLOW:	2750 GPM	173.5 L/S
DISCHARGE SIZE:	6"	15 cm
SUCTION SIZE:	6"	15 cm
SOLIDS HANDLING:	3"	7.6 cm
MAX SPEED:	2100 RPM	2100 RPM
MAX HEAD:	150'	46 m



A typical picture of the pump is shown. Please contact InterTech Pump Company for further details. All information is approximate and for general guidance only.

Pump designed with InterTech's renowned quality and durability. Features a 6" discharge and a 6" suction, with an enclosed two vane impeller design that handles up to a 3" solid. Available in all iron and CD4MCu materials. Cd4MCu usable in pH's of 2 to 13.5, with Brinell hardness of up to 285. InterTech's patented Cycloseal® design is standard, with a John Crane T-2 single mechanical seal with Viton® elastomers, with stainless steel hardware and tungsten carbide vs. silicon carbide seal faces for abrasion resistance. Bearings are heavy-duty, grease lubricated, deep ball bearings with a minimum of 50,000 hours bearing life.

PARTS	STANDARD MATERIAL (ALL IRON)	CD4MCU
WEAR RINGS	CAST IRON ASTM A48 Class 30	2205 Duplex SS FF ASTM A890
IMPELLER	CAST IRON ASTM A48 Class 30	CD4MCu Cast Stainless ASTM A890 Grade 1A
VOLUTE	CAST IRON ASTM A48 Class 30	CD4MCu Cast Stainless ASTM A890 Grade 1A
SHAFT	1144 Stress Proof Steel	17-4PH Stainless Steel FH -H1075
SHAFT SLEEVE	416 Stainless Steel	316 Stainless Steel

- Superior lift capability
- Excellent NPSHr
- High-efficiency design
- Variable speed
- 24-hour run time
- Cycloseal® design mechanical seal
- Heavy-duty construction
- RunDry™ option (Indefinite run dry capability)
- Unmanned operations
- Redi-Prime® fully automatic self-priming, dry-priming available
- 150 lb. flange on CD4MCu; 125 lb. flange on all iron pump



AGRICULTURE



FOOD



INDUSTRIAL



MINING



MUNICIPAL



OIL & GAS



REFRIGERATION



RENTAL

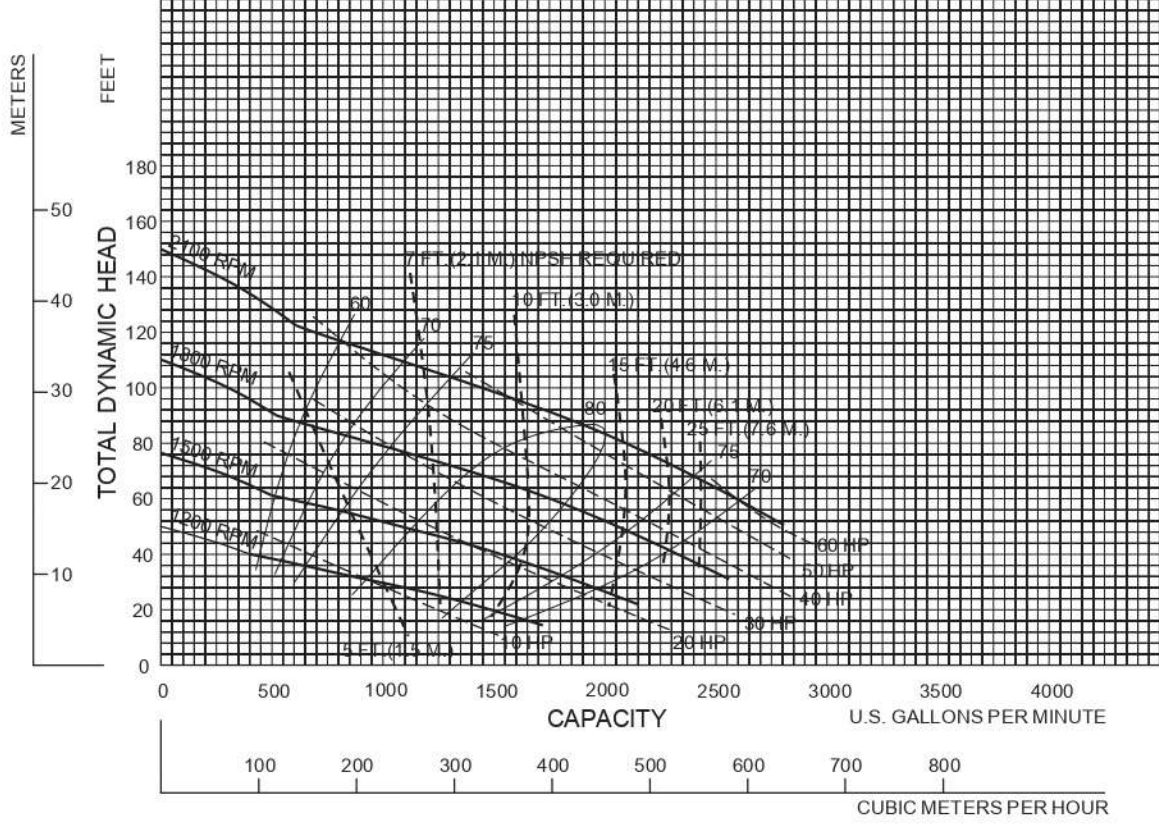
A typical picture of the pump is shown. Please contact InterTech Pump Company for further

NEW PAGE

Feet x .305 = Meters
 Inches x 25.4 = Millimeters
 GPM x .227 = Cubic Meters/Hour
 GPM x 3.785 = Liters/Minute
 HP x .746 = KW

Speed	Impeller Dia.	Style	Solids Dia.	N _S	Suction	Discharge	No. vanes
VARIOUS	10.09"	ENCLOSED	3.0"	3300	6"	6"	2

SINGLE VOLUTE MOUNTING CONFIG.: CC, VM, F, VF, EM, VC



Performance shown are for cool water, close coupled electric configuration with Cyclo seal. Other mounting styles or liquids may require horsepower and/or performance adjustments.

6NNTVA

1/15/00

InterTech Pump Co.	6NNT - VARIOUS RPM
--------------------	--------------------