

INTERTECH PUMP COMPANY

Delta™ Model 6NHDH-F

STANDARD SPECIFICATION

Size: 6NHDH - 6" discharge x 6" suction with 125# cast iron flanges.

Impeller - Semi-open, 2 vane: handles 3" solids

Volute - Right hand tangential and centerline discharge, eight positions

Mechanical Seal or Traditional Packing - Single, type 2, silicon carbide/tungsten carbide mechanical seal: Cycloseal® design, Run-dry available

Materials of Construction

- Cast iron casing, cast iron impeller
- Other materials available, including corrosion resistant materials

FEATURES & BENEFITS

Semi-open Impeller

- handles difficult to pump liquids, rags, wet straw and other difficult to pump slurries and sludges that other pumps can not handle.
- smooth vanes prevent hang-up or "pinning" of stringy materials.
- handles slurries and sludges with abrasive particles.
- no wear rings are required.
- no axial clearance adjustments are required.
- aids in passing solids through the pump and breaking up larger solids.
- resists ragging

TDH to 110 ft., speeds to 1800 RPM or more

- handles high head situations and flow rates to 1,800 GPM.

High Efficiencies

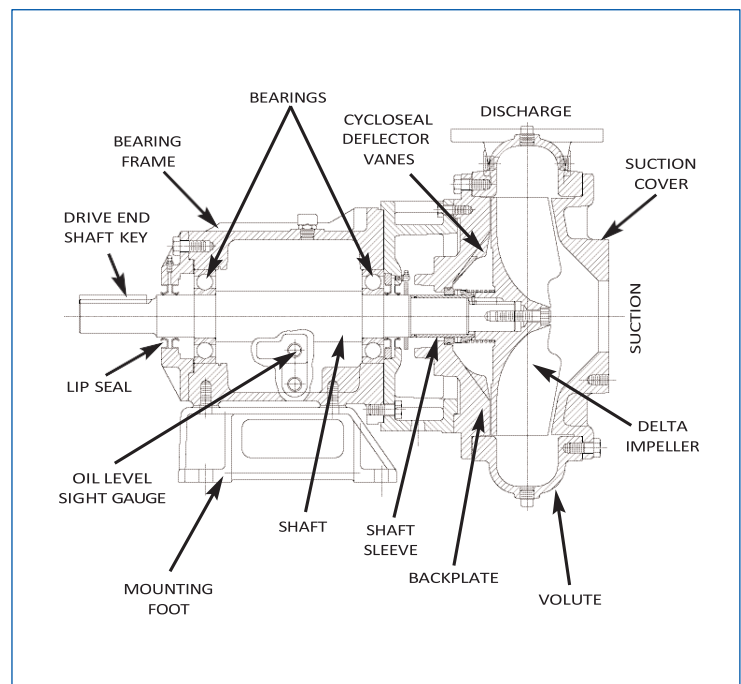
- due to higher efficiencies, these pumps can often provide significant energy savings and lower operating costs.

Impeller Options

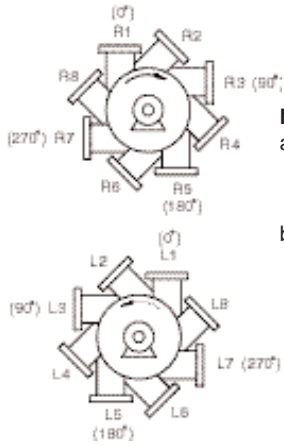
- available in 2 or 3 vane impeller design.

Mounting Options

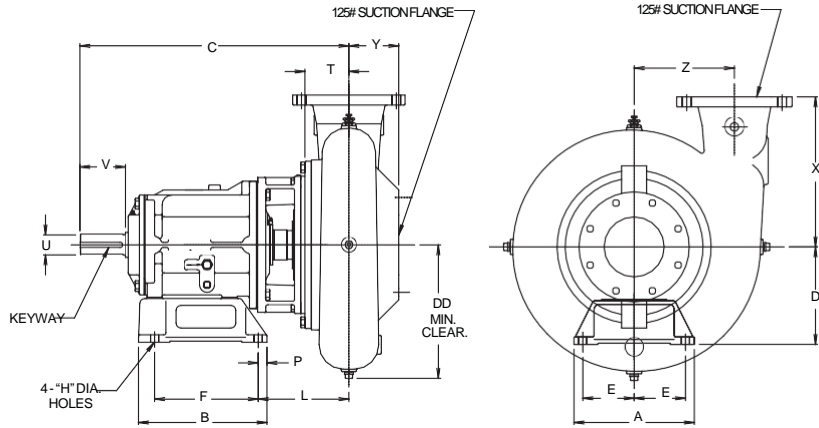
- available in a variety of mounting configurations.



PUMP DIMENSIONS



NOTES:
 a. Discharge positions viewed from drive end.
 b. Consult factory for other discharge positions.



NOTES:
 1. "V" dimension is maximum useable shaft.
 2. Mounting foot thickness is .75".
 3. Flange connection dimension can vary $\pm .12$ inch.
 4. Do not use for construction unless certified.

Model	Frame	CONNECTION		A	B	C	D	DD	E	F	H	L	P	T	U	V	X	Y	Z	KEYWAY
		Disch.	Suct.																	
6NHDH	F16	6	6	12	12.88	26.59	9.75	13.75	5.12	10.38	0.81	8.73	0.88	4.03	2	4.5	15	5	10	.50 x .25
	F18	6	6	12	12.88	27.59	10.05	13.75	5.12	10.38	0.81	9.22	0.88	4.03	2.5	4.5	15	5	10	.62 x .31

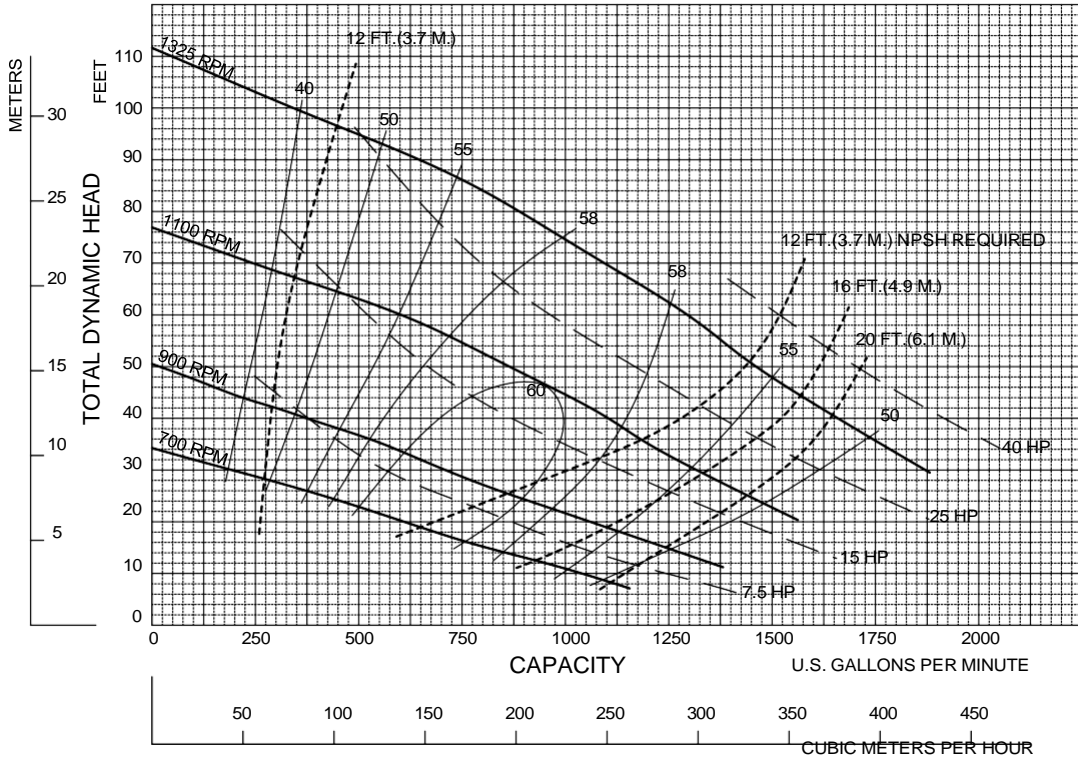
PERFORMANCE CURVES

Feet x .305 = Meters
 Inches x 25.4 = Millimeters

GPM x .227 = Cubic Meters/Hour
 GPM x 3.785 = Liters/Minute
 HP x .746 = KW

Speed	Impeller Dia.	Style	Solids Dia.	N _S	Suction	Discharge	No. vanes
VARIOUS	14" DIA.	OPEN	3"	2200	6"	6"	2

SINGLE VOLUTE MOUNTING CONFIG.: CC, VM, F, VF, EM, VC



Performances shown are for cool water, close-coupled electric configuration with packing. Other mounting styles or liquids may require horsepower and/or performance adjustments.