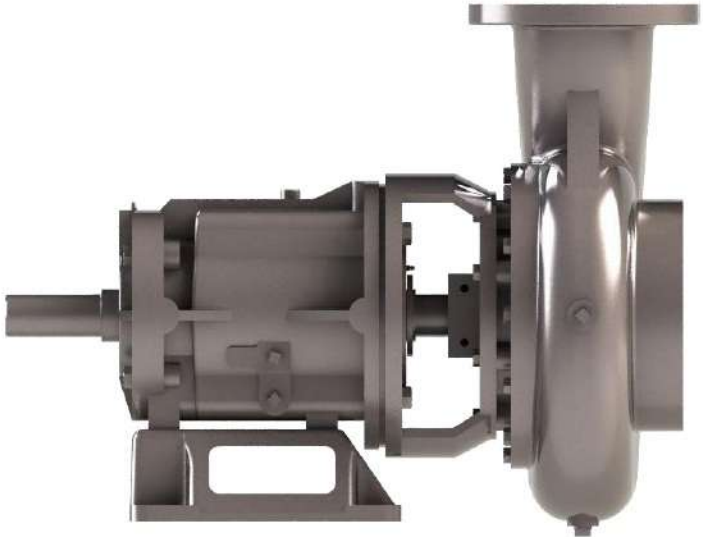


AVAILABLE MOUNTING CONFIGURATIONS
4NNT-F FRAME MOUNT
4NNT-RP-F REDI-PRIME FRAME MOUNT
4NNT-EM ENGINE MOUNT
4NNT-RP-EM REDI-PRIME ENGINE MOUNT
4NNT-VC VERTICAL COUPLED
4NNT-VF VERTICAL FRAME MOUNT

OPERATING LEVELS		
<b>MIN FLOW</b>	180 GPM	41 m <sup>3</sup> /h
<b>MAX FLOW</b>	1300 GPM	295 m <sup>3</sup> /h
<b>DISCHARGE SIZE</b>	4"	101.6 mm
<b>SUCTION SIZE</b>	4"	101.6 mm
<b>SOLIDS HANDLING</b>	3"	76.2 mm
<b>MAX SPEED</b>	1800 RPM	1800 RPM
<b>SHUT-OFF HEAD</b>	122'	37.2 m
<b>BEP HEAD</b>	81'	24.6 m
<b>BEP FLOW</b>	760 GPM	172.6 m <sup>3</sup> /h
<b>BEP PERCENT</b>	76%	76%

PARTS	STANDARD MATERIAL (ALL IRON)
<b>WEAR RING</b>	CAST IRON
<b>IMPELLER</b>	CAST IRON
<b>VOLUTE</b>	CAST IRON
<b>SHAFT</b>	STRESSPROOF STEEL
<b>SHAFT SLEEVE</b>	416 STAINLESS STEEL
<b>BACKPLATE</b>	CAST IRON
<b>MECHANICAL SEAL</b>	TUNGSTEN CARBIDE VS. SILICON CARBIDE
<b>BEARING FRAME</b>	CAST IRON



A typical picture of the pump is shown. Please contact InterTech Pump Company for further details. All information is approximate and for general guidance only.

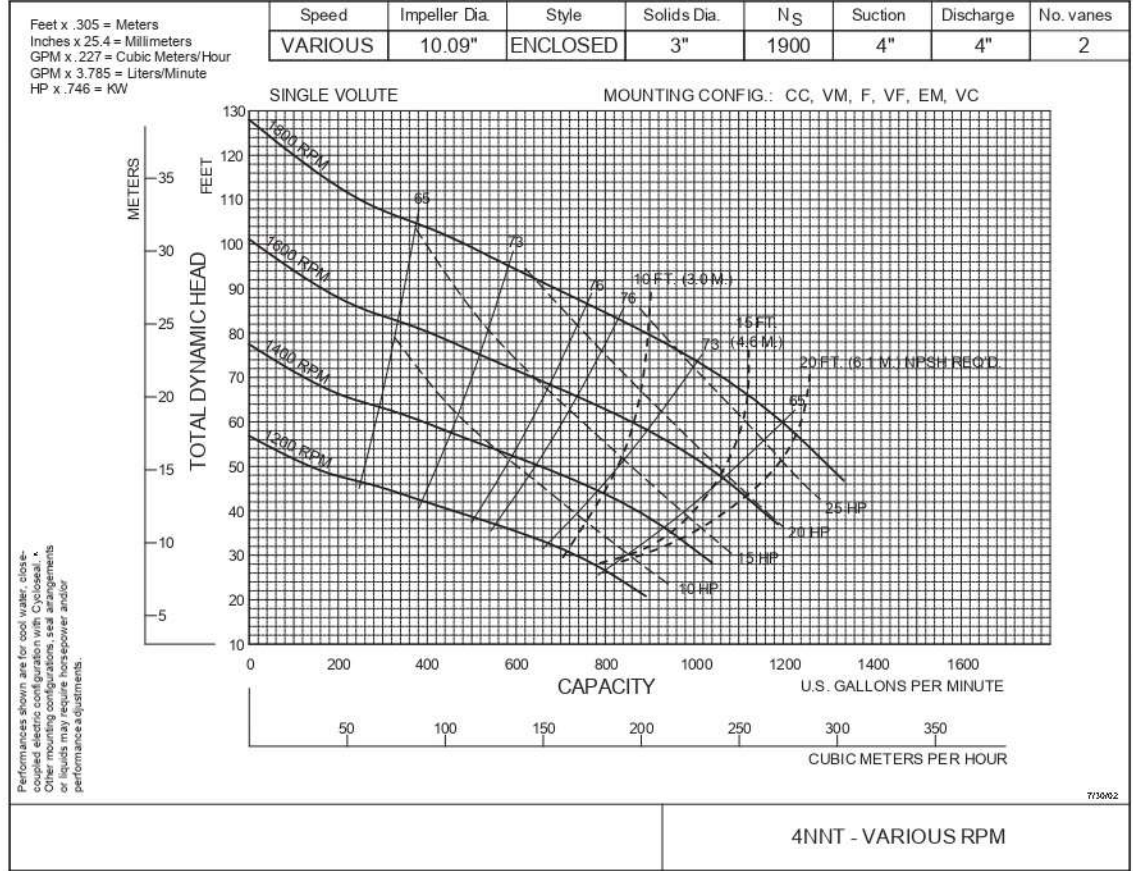
The 4NNT pump is designed with InterTech's renowned quality and durability. It features a 4" discharge, 4" suction, and enclosed impeller. InterTech's patented Cycloseal® design is standard, with a Type 1 or 2 single mechanical seal with Buna-N elastomers, stainless steel hardware and tungsten carbide vs. silicon carbide seal faces for abrasion resistance.

**Frame mounted models:** Heavy-duty, grease lubricated, single row ball bearings with a minimum of 50,000 hours bearing life. 900/1200/1800 RPM operating speeds. Vertical configurations include a 4" suction elbow with other options available. Uses an F16 frame (horizontal) or VC16 frame (vertical).

**Engine-mounted models:** 900/1800 RPM operating speeds.

- Patented Cycloseal design
- Heavy-duty bearing frame
- Industry-leading two-year warranty
- Industry-leading efficiencies
- Heavy duty construction
- Redi-Prime® available for fully-automatic continuous priming





SUPERSEDES 9/15/99

4NNTVA

