

INTERTECH PUMPS

Engineering That Ignites

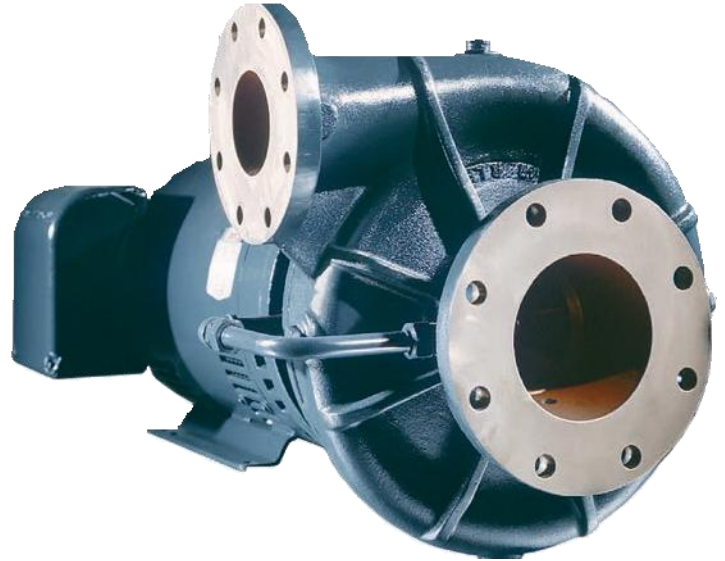
3RB-CC

AVAILABLE MOUNTING CONFIGURATIONS

3RB-CC CLOSE-COUPLED
3RB-VM VERTICAL CLOSE-COUPLED

OPERATING LEVELS

MIN FLOW	60 GPM	13.6 m ³ /h
MAX FLOW	710 GPM	161.1 m ³ /h
DISCHARGE SIZE	3"	76.2 mm
SUCTION SIZE	5"	127 mm
SOLIDS HANDLING	0.5"	12.7 mm
MAX SPEED	1800 RPM	1800 RPM
SHUT-OFF HEAD	185'	56.4 m
MAX WORKING PRESSURE	175 PSI	1207 kPa
BEP HEAD	160'	48.8 m
BEP FLOW	550 GPM	124.8 m ³ /h
BEP PERCENT	78%	78%



A typical picture of the pump is shown. Please contact InterTech Pump Company for further details. All information is approximate and for general guidance only.

The 3RB general purpose pump is designed with InterTech's renowned quality and durability. It features a 3" discharge and a 5" suction, enclosed multi-vane impeller and flanged tangential single volute. Optional motors include TEFC (other options available).

- External hydraulic balance line
- Back pullout design
- Replaceable hub & suction wear rings
- Replaceable shaft sleeve
- High efficiency hydraulics
- Low operating costs
- Two year warranty
- Optional Cycloseal® with type 1 mechanical seal
- Optional Run-Dry™ lubrication system
- "Shower curtain shield" bearing protection

PARTS	STANDARD MATERIAL (CAST IRON BRONZE FITTED, CI IMPELLER)
WEAR RINGS	Bronze SAE 660
IMPELLER	Cast Iron ASTM A48 CL30
VOLUTE	Cast Iron ASTM A48 CL30
SHAFT	Carbon Steel
SHAFT SLEEVE	Bronze SAE 660
BACKPLATE	Cast Iron ASTM A48 CL30
PACKING (STANDARD)	Graphited Acrylic
MECHANICAL SEAL (OPTIONAL)	Single T-1, Buna, Carbon/ Ceramic
MOTOR	Open drip-proof w/ 1.15 service factor



AGRICULTURE



FOOD



INDUSTRIAL



MINING



MUNICIPAL



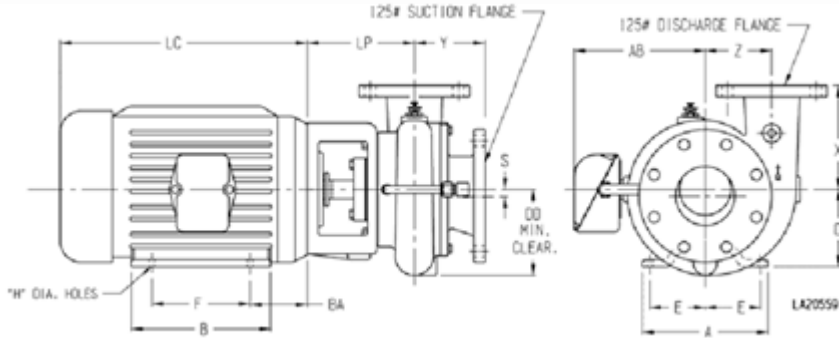
OIL & GAS



REFRIGERATION



RENTAL



PUMP DIMENSIONS										
MODEL	CONNECTION		DISCHARGE INCREMENT	AK DIM.	DD	S	X	Y	Z	LP
	DISCHARGE	SUCTION								
3RB	3	5	90°	8.5	10	-	8.5	5.25	7.75	7.62
				12.5	10	-	8.5	5.25	7.75	7.62

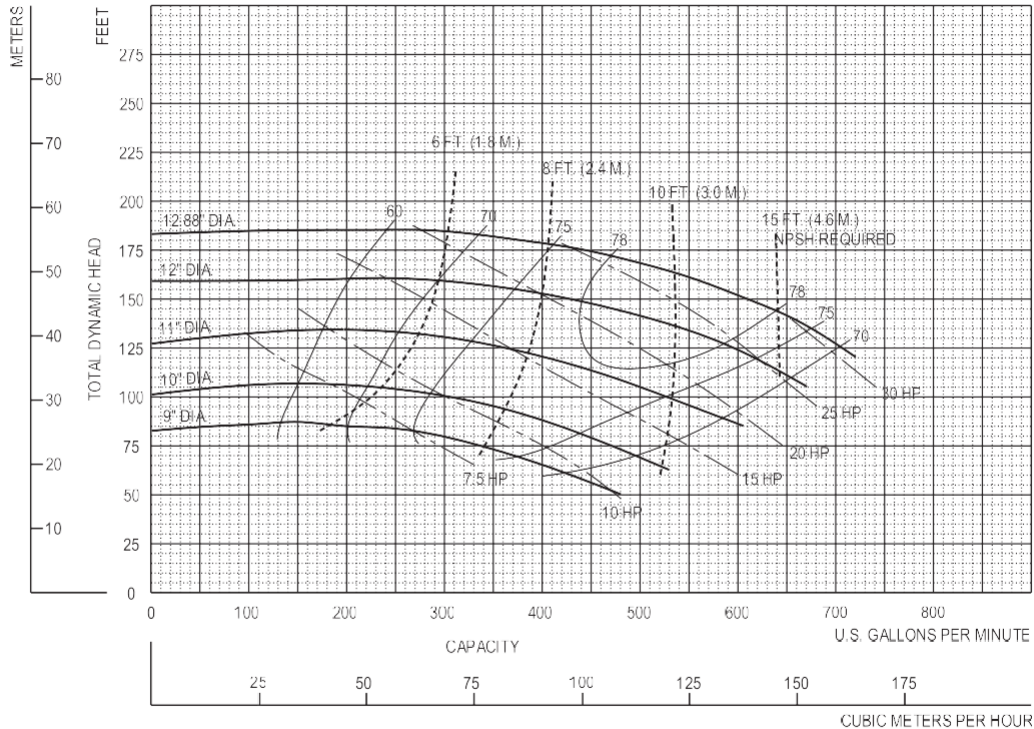
MOTOR DIMENSIONS										
MOTOR FRAME	AK DIM.	A	B	D	E	F	H	AB	BA	LC
324-6	12.5	14.25	14	8	6.25	12	0.66	12.22	5.5	22.19
364-5	12.5	15.75	14	9	7	12.25	0.66	13.2	6.12	24.31
404-5	12.5	18.5	16.62	10	8	13.75	0.81	16.39	6.88	29.97

Feet x .305 = Meters
 Inches x 25.4 = Millimeters
 GPM x .227 = Cubic Meters/Hour
 GPM x 3.785 = Liters/Minute
 HP x .746 = KW

Speed	Impeller Dia.	Style	Solids Dia.	N _S	Suction	Discharge	No. vanes
1775	VARIOUS	ENCLOSED	.50"	918	5"	3"	7

SINGLE VOLUTE

MOUNTING CONFIG.: CC, VM, F, VF, EM, VC



Performance shown are for cast water, close-coupled electric configuration with packing. Other mounting configurations, seal arrangements or liquids may require horsepower and/or performance adjustments.

NEW PAGE

3RB18